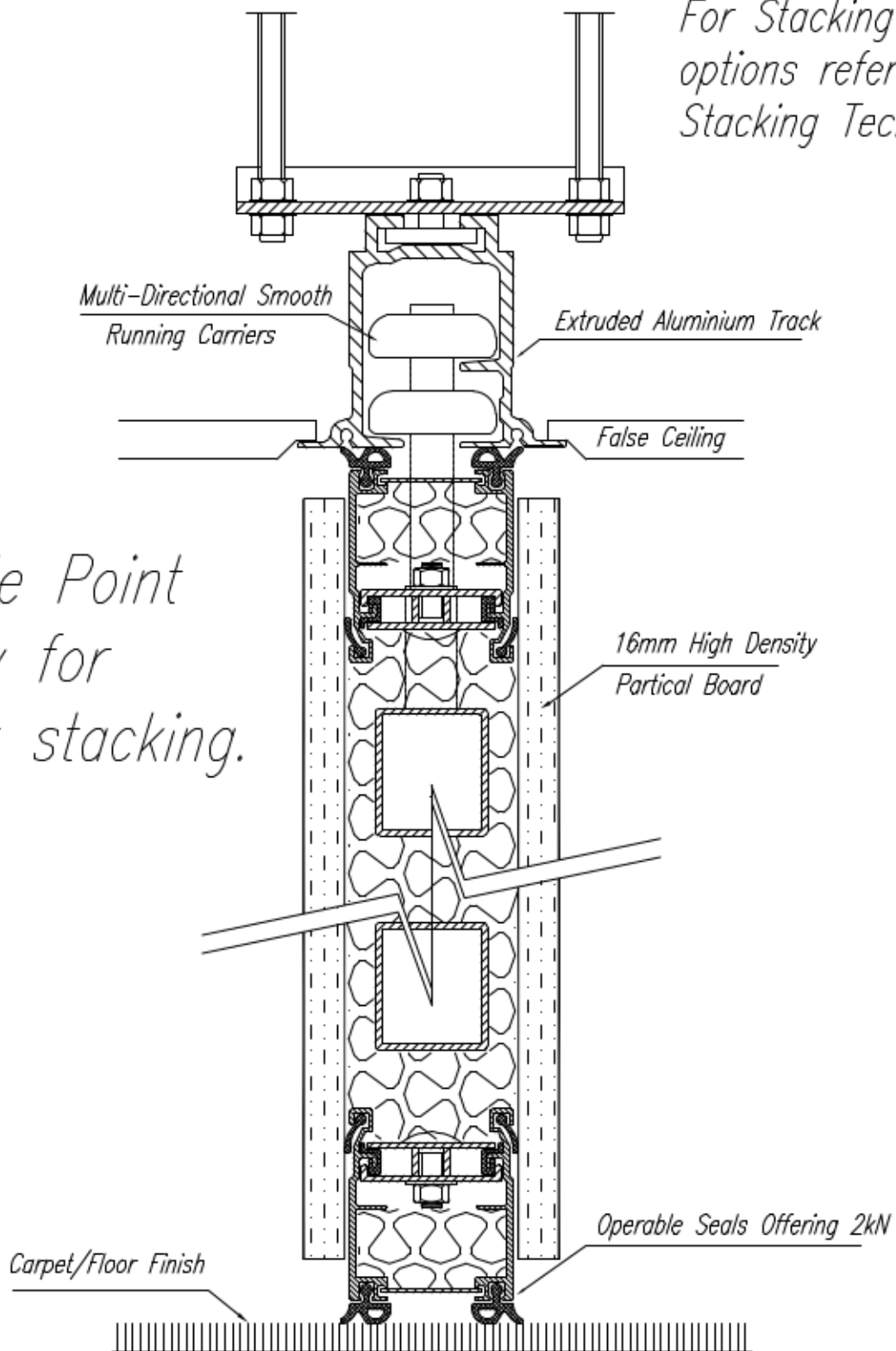


For Stacking options refer to Stacking Technical.

Double Point trolley for offset stacking.



All details/dimensions may be subject to change.

© ALL DIMENSIONS IN MILLIMETRES - DO NOT SCALE



**MOVEABLE
WALL
SOLUTIONS**

REV & DATE	SYSTEM
DRAWN BY	Omega
A: PE 9/1/09	TITLE
DRAWING No.	Double Point Suspended Track
OmegaDPST	SOUND ATTENUATION RANGE
	55 dB