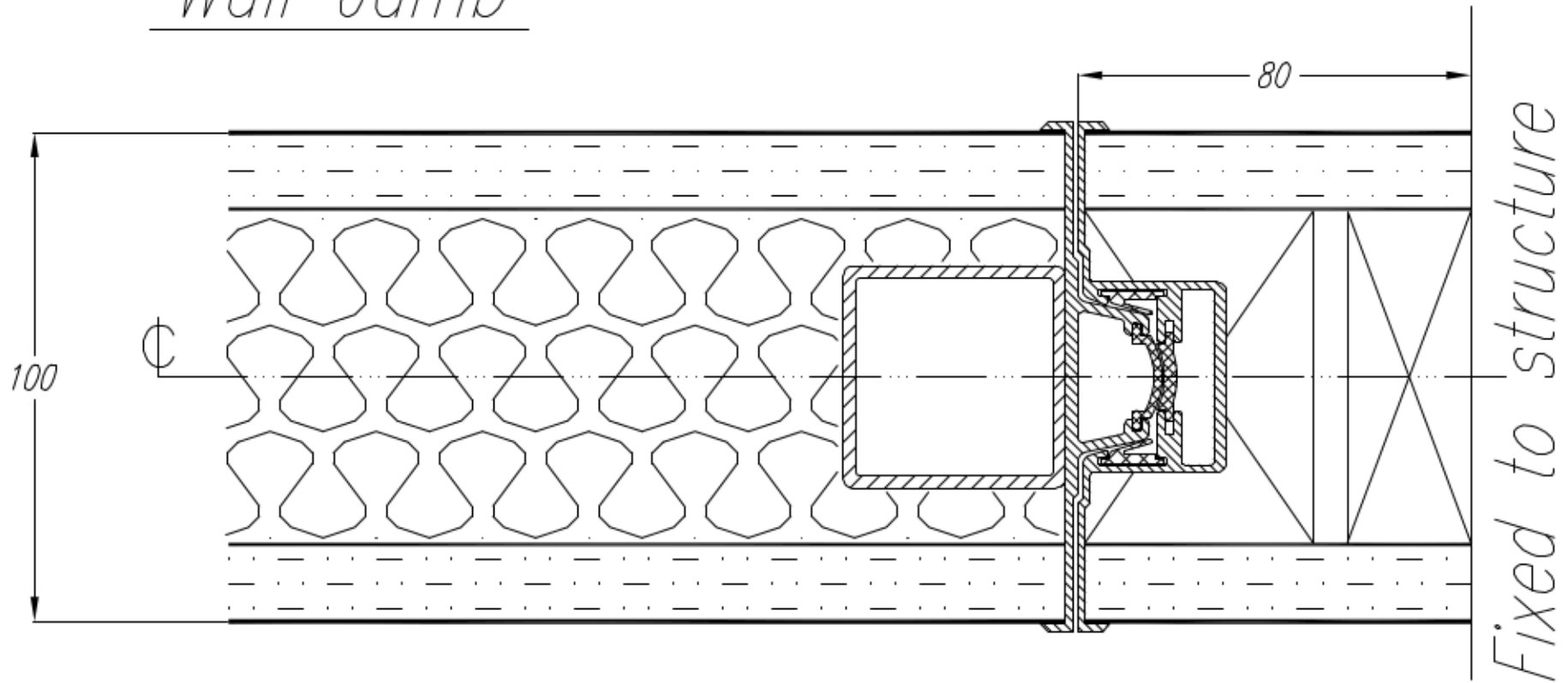


Wall Jamb



**MOVEABLE
WALL
SOLUTIONS**

REV & DATE	SYSTEM
DRAWN BY	Omega
A: PE 9/1/09	TITLE
DRAWING No.	Wall Jamb
OmegaWJ	SOUND ATTENUATION RANGE
	55 dB

All details/dimensions may be subject to change.
 © ALL DIMENSIONS IN MILLIMETRES - DO NOT SCALE