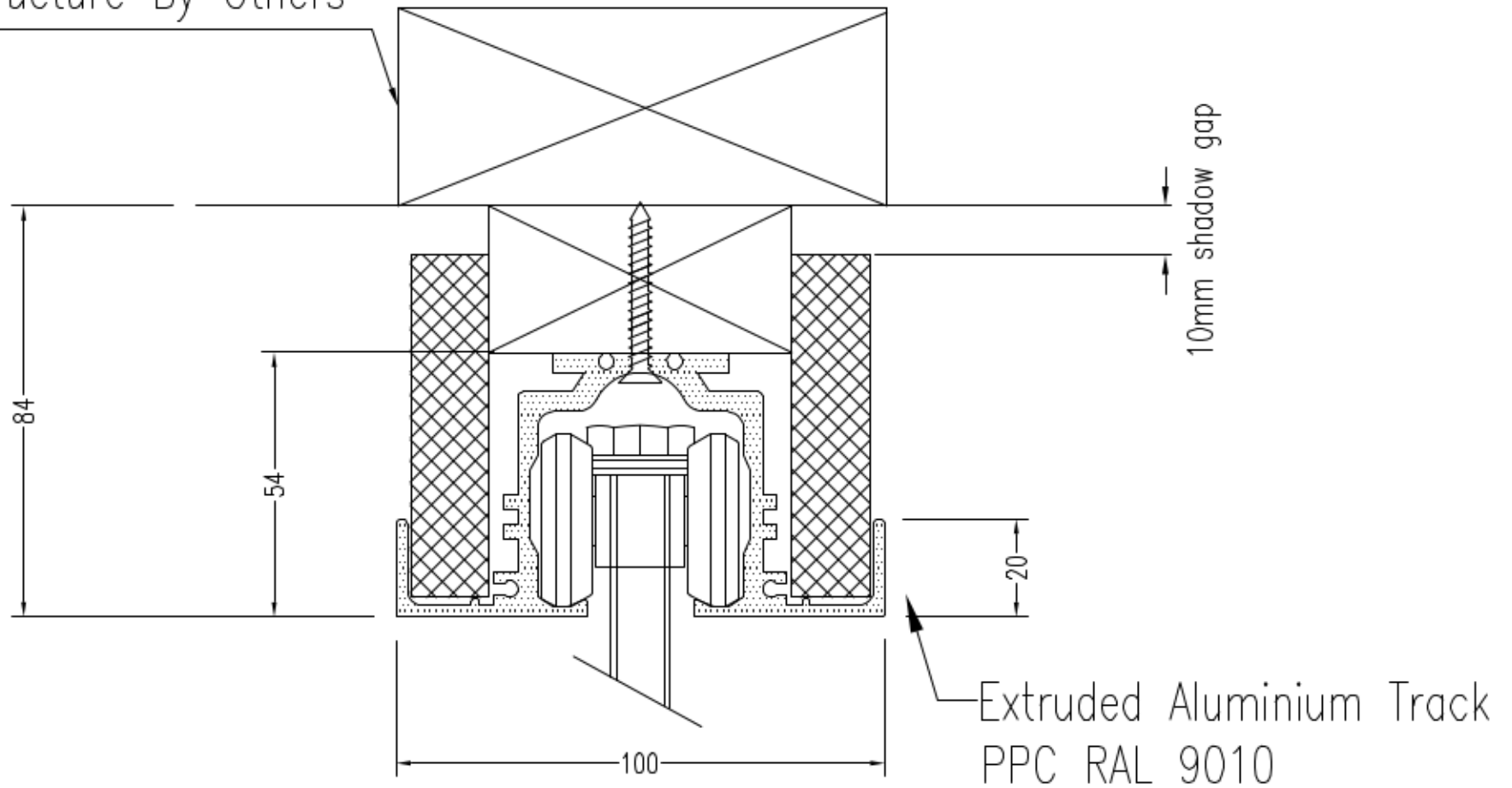


Structure By Others



**MOVEABLE
WALL
SOLUTIONS**

REV & DATE	SYSTEM
DRAWN BY	<i>OmegaD</i>
A: PE 9/1/09	TITLE
DRAWING No.	<i>Single Pt Head Track W Pelmet</i>
<i>OmegaD SPHTWP</i>	SOUND ATTENUATION RANGE
	48 dB

All details/dimensions may be subject to change.
© ALL DIMENSIONS IN MILLIMETRES - DO NOT SCALE